

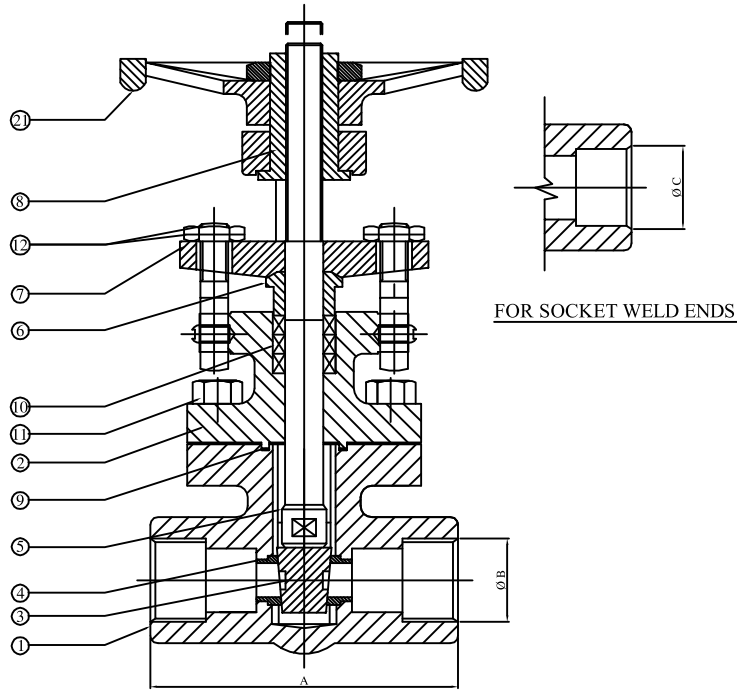




Contents

Description	Page No.
Forged Steel Gate Valve Class 800	1
Forged Steel Globe Valve Class 800	2
Forged Steel Left Check Valve Class 800	3
Cast Steel Gate Valve Class 150	4
Cast Steel Globe Valve Class 150	5
Cast Steel Swing Check Valve Class 150	6
Wafer Type Butterfly Valve PN 10	7
Cast Steel "Y" Strainer Class 150	8

Forged Steel Gate Valve Class 800



Manufacturing Standard : IS 11733
 Pressure Testing : API 598
 Screwed Dimensions : BS 21 / IS 554 / ANSI B 1.20.1
 Socket Weld Dimensions : ANSI B16.11

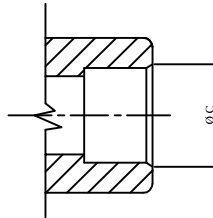
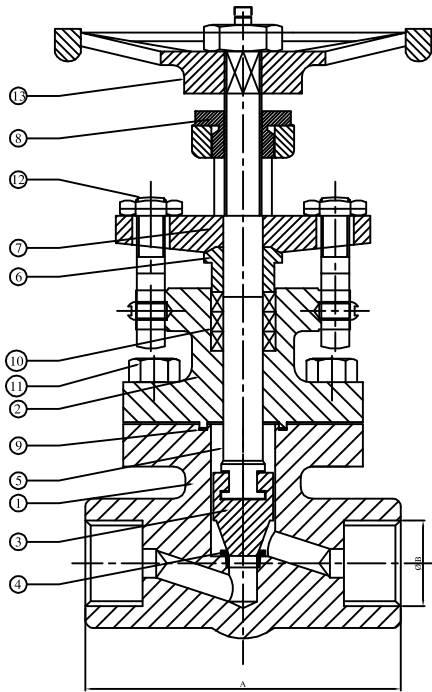


TEST	MEDIUM	#800		SIZE	B	A	SW. ENDS
		PSI	BAR				Ø C Min. ^{+0.5}
SHELL	HYDROSTATIC	3000	211	15	1/2"	85	21.7
BACK SEAT	HYDROSTATIC	2130	150	20	3/4"	92	27.0
SEAT	HYDROSTATIC	2130	150	25	1"	105	33.8
SEAT	AIR	85	6	40	1 1/2"	127	48.6
				50	2"	140	61.1

NO.	COMP. NAME	QTY.	MATERIAL OF CONSTRUCTION
21	HAND WHEEL	01	C.I. / M.I. /D.I.
12	EYE BOLTS & NUTS	02 + 02	CARBON STEEL / SS304
11	BONNET BOLTS	04	CARBON STEEL
10	GLAND PACKINGS	SET	REINFORCED GRAPHITE
09	BONNET GASKET	01	SS304 SPIRAL WOUNDED GRAPHITE
08	STEM NUT	01	NI - RESIST / CARBON STEEL
07	GLAND FLANGE	01	ASTM A 105 / CARBON STEEL / F304
06	GLAND	01	AISI 410 / AISI 304 / AISI 316
05	SPINDLE	01	AISI 410 / AISI 304 / AISI 316
04	SEAT RINGS	02	AISI 410 / AISI 304 / AISI 316
03	WEDGE	01	AISI 410 / AISI 304 / AISI 316
02	BONNET	01	ASTM A 105 / F304 / F316
01	BODY	01	ASTM A 105 / F304 / F316

DUE TO CONTINUOUS DEVELOPMENT, WE RESERVE THE RIGHT TO CHANGE SPECIFICATIONS WITHOUT NOTICE

Forged Steel Globe Valve Class 800



FOR SOCKET WELD ENDS

Manufacturing Standard : IS 11733
 Pressure Testing : API 598
 Screwed Dimensions : BS 21 / IS 554 / ANSI B 1.20.1
 Socket Weld Dimensions : ANSI B16.11



TEST	MEDIUM	#800	
		PSI	BAR
SHELL	HYDROSTATIC	3000	211
BACK SEAT	HYDROSTATIC	2130	150
SEAT	HYDROSTATIC	2130	150
SEAT	AIR	85	6

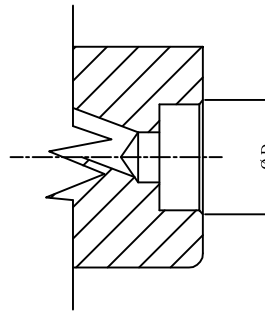
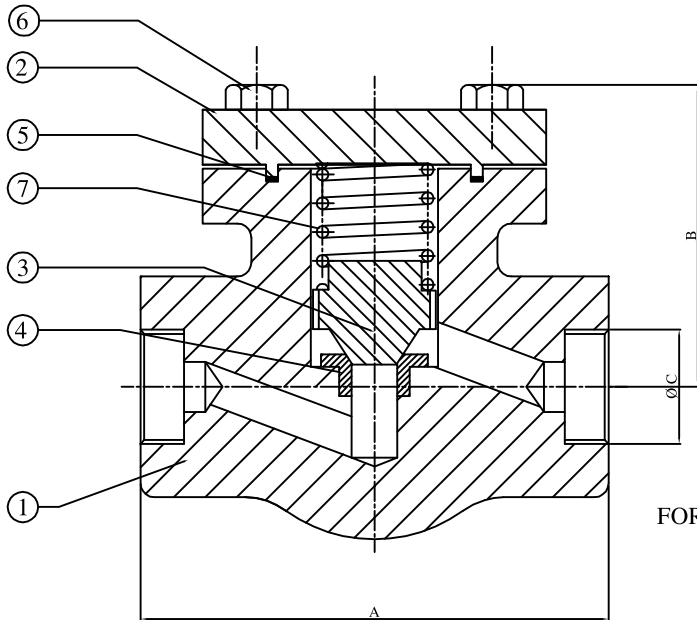
SIZE	B	SCR. ENDS	SW. ENDS
		A	Ø C Min. ^{+0.5}
15	1/2"	85	21.7
20	3/4"	92	27.0
25	1"	105	33.8
40	1 1/2"	127	48.6
50	2"	140	61.1

21	HAND WHEEL	01	C.I. / M.I. /D.I.
12	EYE BOLTS & NUTS	02 + 02	CARBON STEEL / SS304
11	BONNET BOLTS	04	CARBON STEEL
10	GLAND PACKINGS	SET	REINFORCED GRAPHITE
09	BONNET GASKET	01	SS304 SPIRAL WOUNDED GRAPHITE
08	YOKE BUSH	01	NI - RESIST / CARBON STEEL
07	GLAND FLANGE	01	ASTM A 105 / CARBON STEEL / F304
06	GLAND	01	AISI 410 / AISI 304 / AISI 316
05	SPINDLE	01	AISI 410 / AISI 304 / AISI 316
04	SEAT RING	01	AISI 410 / AISI 304 / AISI 316
03	DISC	01	AISI 410 / AISI 304 / AISI 316
02	BONNET	01	ASTM A 105 / F304 / F316
01	BODY	01	ASTM A 105 / F304 / F316
NO.	COMP. NAME	QTY.	MATERIAL OF CONSTRUCTION

DUE TO CONTINUOUS DEVELOPEMENT, WE RESERVE THE RIGHT TO CHANGE SPECIFICATIONS WITHOUT NOTICE

Forged Steel Lift Check Valve Class 800

Manufacturing Standard : IS 11773
 Pressure Testing : API 598
 Screwed Dimensions : BS 21 / IS 554 / ANSI B 1.20.1
 Socket Weld Dimensions : ANSI B16.11



FOR SOCKET WELD ENDS



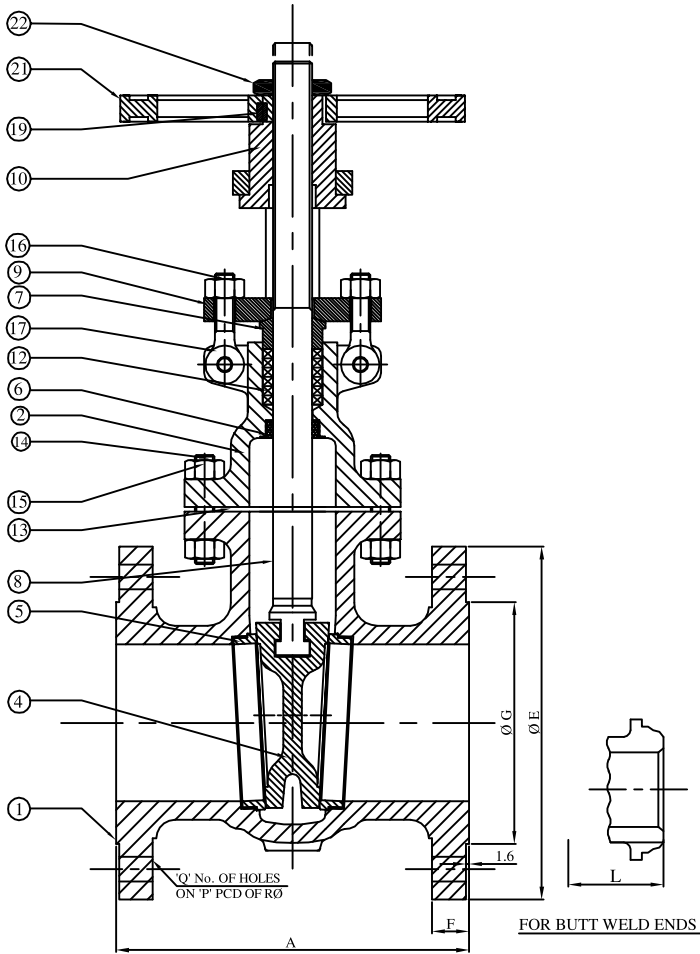
TEST	MEDIUM	#800		SIZE	C	A	B	SW. ENDS
		PSI	BAR					Ø D Min. ^{+0.5}
BODY	HYDROSTATIC	3000	211	15	1/2"	85	55	21.7
BACK SEAT	HYDROSTATIC	2130	150	20	3/4"	92	60	27.0
SEAT	HYDROSTATIC	2130	150	25	1"	105	72	33.8
SEAT	AIR	85	6	40	1 1/2"	127	95	48.6
				50	2"	140	100	61.1

07	SPRING	01	SPRING STEEL
06	COVER BOLTS	SET	CARBON STEEL
05	COVER GASKET	01	SS304 SPIRAL WOUNDED GRAPHITE / CAF
04	SEAT RING	01	AISI 410
03	DISC	01	AISI 410
02	COVER	01	ASTM A 105
01	BODY	01	ASTM A 105
NO.	COMPONENT NAME	QTY.	MATERIAL OF CONSTRUCTION

DUE TO CONTINUOUS DEVELOPEMENT, WE RESERVE THE RIGHT TO CHANGE SPECIFICATIONS WITHOUT NOTICE

Cast Steel Gate Valve Class 150

Manufacturing Standard : API 600 / IS 11323
 Pressure Testing : API 598
 Flanged Dimensions : ASME B16.5
 Face to Face : ANSI B 16.10



CLASS 150			
SIZES	Q	P	RØ
25	4	79.3	16
32	4	89	16
40	4	98.6	16
50	4	120.7	19
65	4	139.7	19
80	4	152.4	19
100	8	190.5	19
125	8	215.9	22.2
150	8	241.3	22.2
200	8	298.5	22.2
250	12	361.9	25.4
300	12	431.8	25.4

TEST	MEDIUM	#150	
		PSI	BAR
SHELL	HYDROSTATIC	425	30
BACK SEAT	HYDROSTATIC	300	21
SEAT	HYDROSTATIC	300	21
SEAT	AIR	85	6

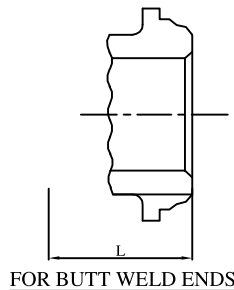
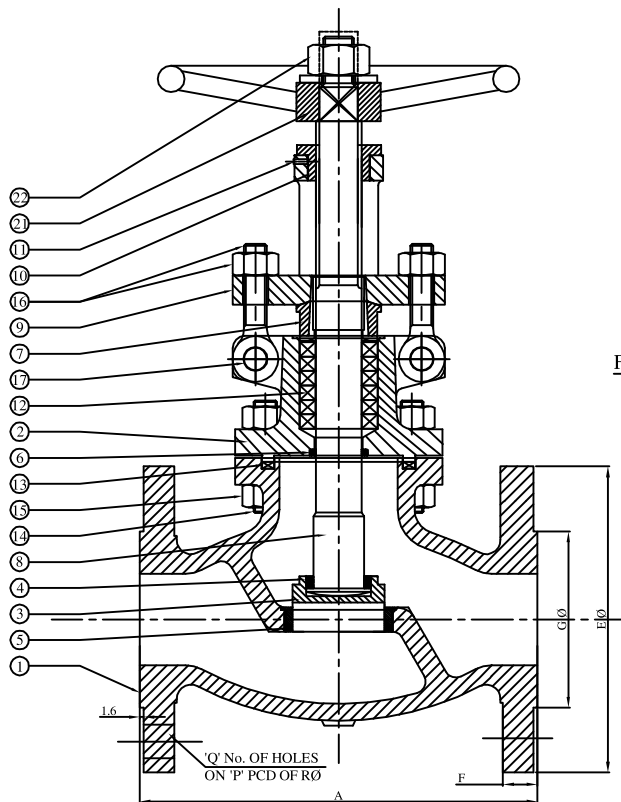
22	HAND WHEEL NUT	01	CARBON STEEL
21	HAND WHEEL	01	DUCTILE IRON/CAST IRON/WCB
19	KEY / PIN	01	CARBON STEEL
17	GLAND LUG BOLTS & NUTS	02	CARBON STEEL
16	GLAND EYE BOLTS & NUTS	02	CARBON STEEL
15	BONNET NUTS	SET	CARBON STEEL
14	BONNET STUDS	SET	CARBON STEEL
13	BONNET GASKET	01	SS304 SPIRAL WOUNDED GRAPHITE
12	GLAND PACKING	1 SET	REINFORCED GRAPHOIL
10	STEM NUT (YOKE SLEEVE)	01	NI - RESIST / CARBON STEEL
09	GLAND FLANGE	01	CARBON STEEL
08	STEM	01	AISI 410
07	GLAND BUSH	01	AISI 410
06	BACK SEAT BUSH	01	AISI 410
05	SEAT RINGS	02	AISI 410/ASTM A 217 GR Ca 15/ WCB +13 Cr. FACING
04	WEDGE	01	ASTM A 217 GR Ca 15/ WCB + 13 Cr. FACING/ AISI 410
03	YOKE (FROM 10" ONWARDS)	01	ASTM A 216 GR WCB (NOT SHOWN)
02	BONNET	01	ASTM A 216 GR WCB
01	BODY	01	ASTM A 216 GR WCB
NO.	COMP. NAME	QTY.	MATERIAL OF CONSTRUCTION

SIZE	PORT	A	L	Ø E	F	Ø G
25	25	127.0	127.0	108.0	11.2	50.8
32	32	139.7	139.7	117.3	12.7	63.5
40	38	165.0	165.0	127.0	14.2	73.0
50	51	177.8	177.8	152.4	15.8	91.9
65	64	190.5	190.5	177.8	17.5	104.7
80	76	203.2	203.2	190.5	19.1	127.0
100	102	228.6	228.6	228.6	23.9	157.2
125	127	254.0	254.0	254.0	23.9	185.7
150	152	266.7	266.7	279.4	25.4	216.0
200	203	292.1	292.1	342.9	28.5	269.8
250	254	330.2	330.2	406.4	30.2	323.9
300	305	355.6	355.6	482.6	31.8	381.0

DUE TO CONTINUOUS DEVELOPEMENT, WE RESERVE THE RIGHT TO CHANGE SPECIFICATIONS WITHOUT NOTICE

Cast Steel Globe Valve Class 150

Manufacturing Standard : BS 1873 / IS 10605
 Pressure Testing : API 598
 Flanged Dimensions : ASME B16.5
 Butt Weld Dimensions : ASME B 16.25
 Face to Face : ANSI B 16.10



SIZES	Q	P	RØ
25	4	79.3	16
32	4	89	16
40	4	98.6	16
50	4	120.7	19
65	4	139.7	19
80	4	152.4	19
100	8	190.5	19
125	8	215.9	22.2
150	8	241.3	22.2
200	8	298.5	22.2
250	12	361.9	25.4
300	12	431.8	25.4

TEST	MEDIUM	#150	
		PSI	BAR
SHEEL	HYDROSTATIC	425	30
BACK SEAT	HYDROSTATIC	300	21
SEAT	HYDROSTATIC	300	21
SEAT	AIR	85	6

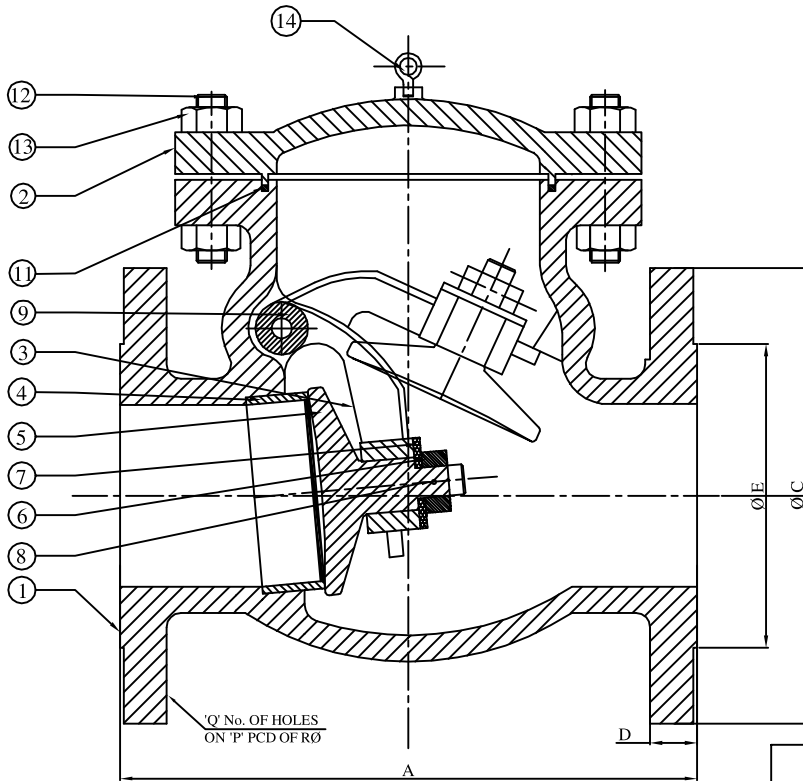
NO.	COMP. NAME	QTY.	MATERIAL OF CONSTRUCTION
22	HAND WHEEL NUT	01	CARBON STEEL
21	HAND WHEEL	01	DUCTILE IRON/CAST IRON/WCB
17	GLAND LUG BOLTS & NUTS	02	CARBON STEEL
16	GLAND EYE BOLTS & NUTS	02	CARBON STEEL
15	BONNET NUTS	SET	CARBON STEEL
14	BONNET STUDS	SET	CARBON STEEL
13	BONNET GASKET	01	SS304 SPIRAL WOUNDED GRAPHITE
12	GLAND PACKING	SET	REINFORCED GRAPHOIL
11	GRUB SCREW	01	CARBON STEEL / SS304
10	YOKE BUSH	01	NI - RESIST / CARBON STEEL
09	GLAND FLANGE	01	CARBON STEEL
08	STEM	01	AISI 410
07	GLAND BUSH	01	AISI 410
06	BACK SEAT BUSH	01	AISI 410
05	SEAT RINGS	01	AISI 410/ASTM A 217 GR Ca 15/ WCB +13 Cr. FACING
04	DISC NUT	01	AISI 410
03	DISC	01	SS 410/ASTM A 217 GR Ca 15/ WCB +13 Cr. FACING
02	BONNET	01	ASTM A 216 GR WCB
01	BODY	01	ASTM A 216 GR WCB
NO.	COMP. NAME	QTY.	MATERIAL OF CONSTRUCTION

SIZE	PORT	A	L	Ø E	F	Ø G
25	25	127.0	127.0	108.0	11.2	50.8
32	32	139.7	139.7	117.3	12.7	63.5
40	38	165.0	165.0	127.0	14.2	73.0
50	51	203.2	203.2	152.4	15.8	91.9
65	64	215.9	215.9	177.8	17.5	104.7
80	76	241.3	241.3	190.5	19.1	127.0
100	102	292.1	292.1	228.6	23.9	157.2
125	127	355.6	355.9	254.0	23.9	185.7
150	152	406.4	406.4	279.4	25.4	216.0
200	203	495.3	495.3	342.9	28.5	269.8
250	254	622.3	622.3	406.4	30.2	323.9
300	305	698.5	698.5	482.6	31.8	380.0

DUE TO CONTINUOUS DEVELOPMENT, WE RESERVE THE RIGHT TO CHANGE SPECIFICATIONS WITHOUT NOTICE

Cast Steel Swing Check Valve Class 150

Manufacturing Standard : BS 1868
 Pressure Testing : API 598
 Flanged Dimensions : ASME B16.5
 Face to Face : ANSI B 16.10



#150			
SIZES	Q	P	RØ
25	4	79.3	16
32	4	89	16
40	4	98.6	16
50	4	120.7	19
65	4	139.7	19
80	4	152.4	19
100	8	190.5	19
125	8	215.9	22.2
150	8	241.3	22.2
200	8	298.5	22.2
250	12	361.9	25.4
300	12	431.8	25.4

TEST	MEDIUM	#150	
		PSI	BAR
SHEEL	HYDROSTATIC	425	30
BACK SEAT	HYDROSTATIC	300	21
SEAT	HYDROSTATIC	300	21
SEAT	AIR	85	6

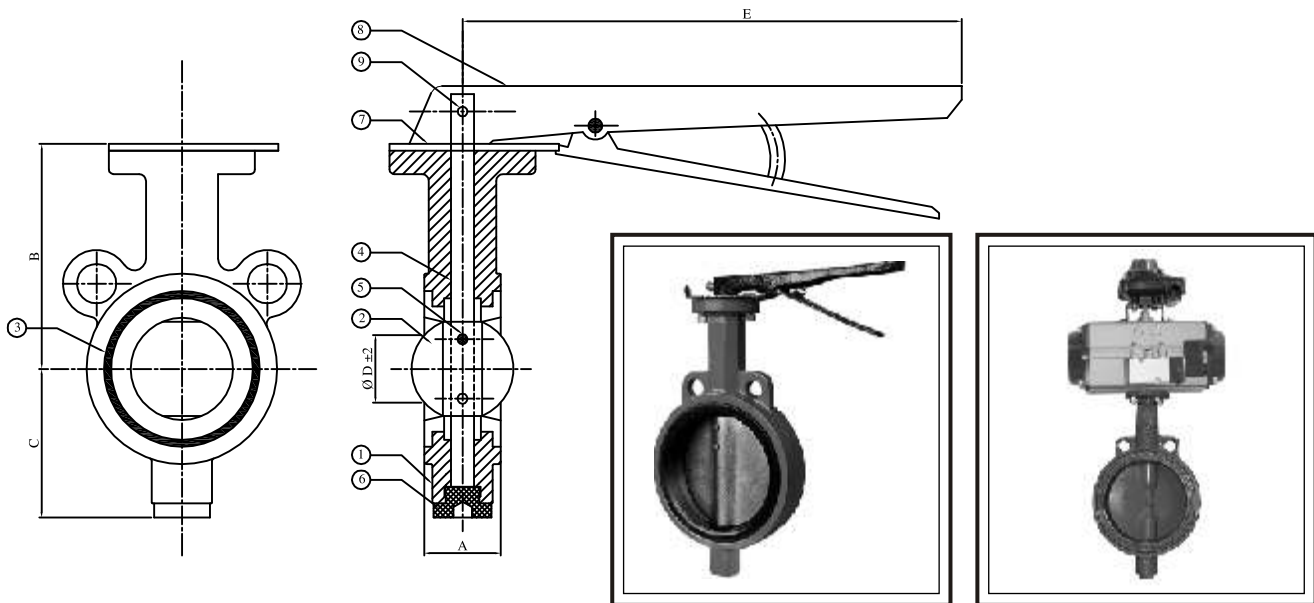
NO.	COMP. NAME	QTY.	MATERIAL OF CONSTRUCTION
14	LIFTING EYE BOLT (FROM 10" ONWARDS)	01	CARBON STEEL
13	COVER NUTS	SET	CARBON STEEL
12	COVER STUDS	SET	CARBON STEEL
11	COVER GASKET	01	SS304 SPIRAL WOUNDED GRAPHITE
10	PLUG (NOT SHOWN)	01	CARBON STEEL
09	HINGE PIN	01	AISI 410
08	COTTER PIN	01	AISI 304 / CARBON STEEL
07	DISC WASHER	01	AISI 304 / AISI 410 / CARBON STEEL
06	DISC RETAINING NUT	01	AISI 304 / CARBON STEEL
05	DISC	01	ASTM A 217 GR Ca 15/ WCB +13 Cr. FACING
04	SEAT RING	01	AISI 410 / ASTM A217 GR. Ca 15/ CARBON STEEL WITH 13% Cr
03	HINGE	01	ASTM A 216 GR WCB
02	COVER	01	ASTM A 216 GR WCB
01	BODY	01	ASTM A 216 GR WCB
NO.	COMP. NAME	QTY.	MATERIAL OF CONSTRUCTION

SIZE	PORT	A	Ø C	D	Ø E
25	25	127.0	108.0	11.2	50.8
32	32	139.7	117.3	12.7	63.5
40	38	165.0	127.0	14.2	73.0
50	51	203.2	152.4	15.8	92.0
65	64	215.6	177.8	17.5	104.7
80	76	241.3	190.5	19.1	127.0
100	102	292.1	228.6	23.9	157.2
125	127	355.6	254.0	23.9	185.7
150	152	406.4	279.4	25.4	216.0
200	203	495.3	342.9	28.5	269.8
250	254	622.3	406.4	30.2	323.9
300	305	698.5	482.6	31.8	381.0

DUE TO CONTINUOUS DEVELOPMENT, WE RESERVE THE RIGHT TO CHANGE SPECIFICATIONS WITHOUT NOTICE

Wafer Type Butterfly Valve PN 10

Manufacturing Standard : API 609 / BS 5155
 Pressure Testing : API 598
 Pressure Rating : PN 10
 Face to Face : BS 5155 / API 609



Technical Details For Actuated Butterfly Valves
Provided on request

SIZE MM	INCH	A	B	C	Ø D	E
50	2	43	104	61	28	185
65	2 ½"	46	111	68	48	185
80	3	46	124	75	67	230
100	4	52	140	89	88	230
125	5	56	158	105	114	230
150	6	56	180	120	142	265
200	8	60	230	156	194	325
250	10	68	266	196	243	385
300	12	78	300	230	292	385

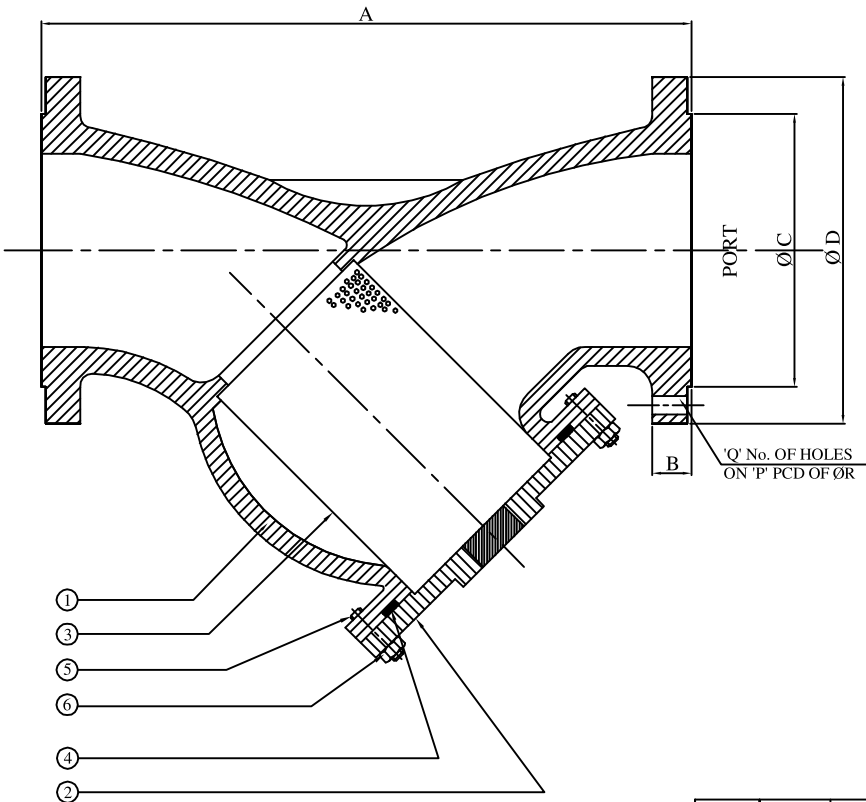
TEST	MEDIUM	PN 10	
		PSI	BAR
BODY	HYDROSTATIC	213	15
SEAT	HYDROSTATIC	156	11
SEAT	AIR	85	6

09	DOWEL PIN	01	CARBON STEEL
08	LEVER	01	CARBON STEEL
07	HANDLE PLATE	01	CARBON STEEL
06	BOTTOM CAP / PLUG	01	CARBON STEEL
05	TAPER PIN	SET	CARBON STEEL / AISI 304 / AISI 316
04	STEM	01	AISI 410 / CF8 / CF8M
03	SEAT	01	EPDM / NITRILE / VITON
02	DISC	01	C.I. / S.G.L. / CF8 / CF8M
01	BODY	01	C.I.
NO.	COMP. NAME	QTY.	MATERIAL OF CONSTRUCTION

DUE TO CONTINUOUS DEVELOPMENT, WE RESERVE THE RIGHT TO CHANGE SPECIFICATIONS WITHOUT NOTICE

Cast Steel "Y" Strainer" Class150

Shell Wall Thickness : ASME B 16.34
 Flanged Dimensions : ASME B 16.5 RF
 Face to Face : ASME 16.1 (Refer Globe Valve)

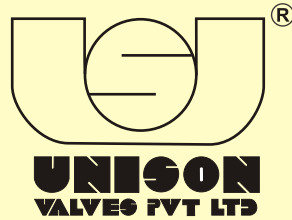


SIZE	PORT	A	B	Ø C	Ø D	Ø R	P	Q
25	25	127	11.2	51	108	16	79	4
40	38	165	14.2	73	127	16	98.5	4
50	51	203	15.8	92	152	19	120.5	4
65	64	216	17.5	105	178	19	140.0	4
80	76	241	19.1	127	190.5	19	152.4	4
100	102	292	23.9	157	229	19	190.5	8
125	126	356	23.9	186	254	22	216.0	8
150	152	406	25.4	216	279	22	241.0	8
200	203	495	28.5	270	343	22	298.5	8
250	254	622	30.2	324	406	25	362.0	12

TEST	MEDIUM	CLASS 150	
		PSI	BAR
SHELL	HYDROSTATIC	425	30

06	COVER NUTS	SET	CARBON STEEL
05	COVER STUDS	SET	CARBON STEEL
04	COVER GASKET	01	COMPRESSED GRAPHITE FIBER / CAF
03	SCREEN	01	SS 304 PERFORATED SHEET
02	COVER	01	ASTM A 216 GR WCB
01	BODY	01	ASTM A 216 GR WCB
NO.	COMPONENT NAME	QTY.	MATERIAL OF CONSTRUCTION

DUE TO CONTINUOUS DEVELOPEMENT, WE RESERVE THE RIGHT TO CHANGE SPECIFICATIONS WITHOUT NOTICE



LIST OF SOME VALUABLE CUSTOMERS

Indo Amines Ltd.

Thakurji Solvex Pvt. Ltd.

Sree Siddarameshwar Agro Industries

Shrinivasa Agro Foods Pvt. Ltd.

Kohinoor Feeds & Fats Ltd.

Kapil Proteins Pvt. Ltd.

Shri Satya Sai Oil Industries

Sai Smaran Foods Ltd.

Chemdist Process Solutions

ACME Process Systems

Key Organics Pvt. Ltd.

Abhay Cotex Pvt. Ltd.

Atlas Fine Chemicals Pvt. Ltd.

Lason India Pvt. Ltd.

UNISON VALVES PVT. LTD.

41/3/2, Vadgaon Sheri, Off Pune-Nagar Road,

Pune - 411 014. (INDIA) Tel.: 020-27030741 / 27032877 / 27034861 Fax: 020-27037512

E-mail : unisonvalves@gmail.com Website : www.unisonvalves.net

UV: DOC:32 REV:03